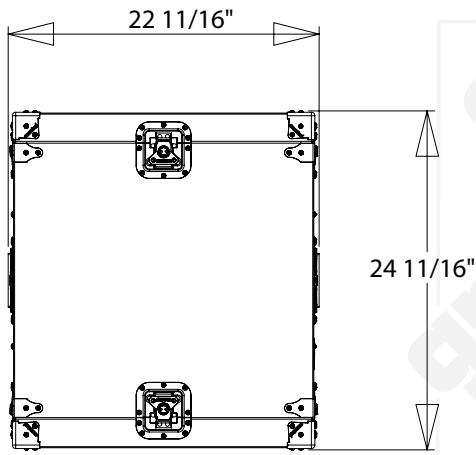
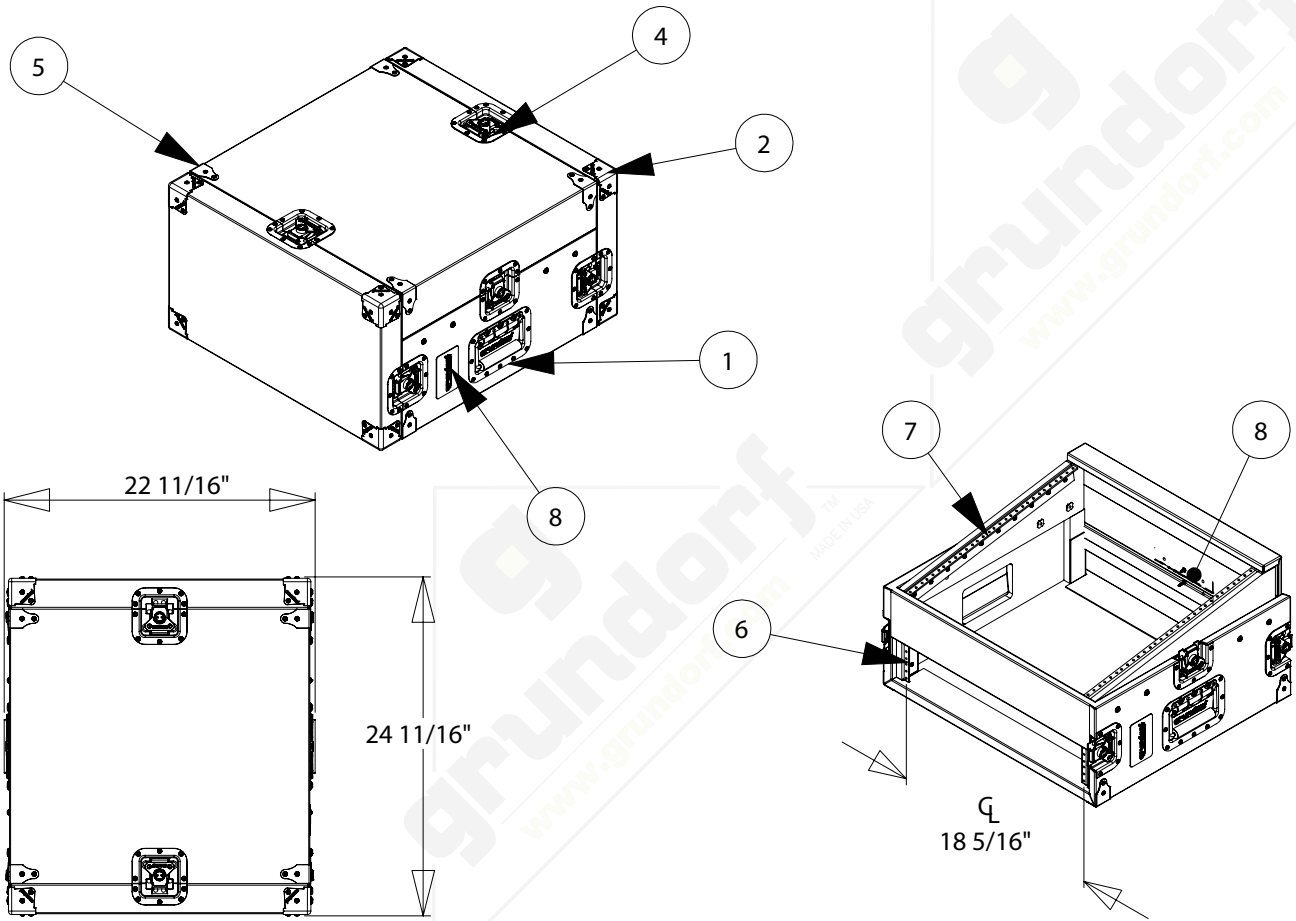
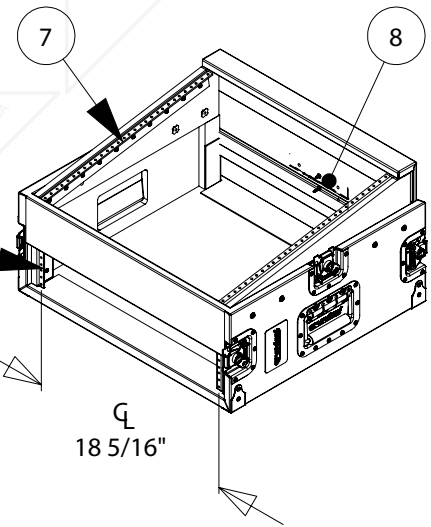


#	Qty	PART NUMBER	DESCRIPTION
1	2	31-005	HANDLE - RECESSED/LOGO/ZINC
2	8	32-011	CORNER-LARGE SQUARE/ZINC
3	1	33-006	HINGE - PIANO, 6"
4	8	34-012	CATCH - RECESSED W/LOGO/ZINC
5	8	35-005	CLAMP - LARGE 4 HOLE/RIV/ZINC
6	2	41-002	RACK RAIL-02 SPACE
7	2	41-010	RACK RAIL-10 SPACE
8	1	83-008	BADGE - GRUNDORF

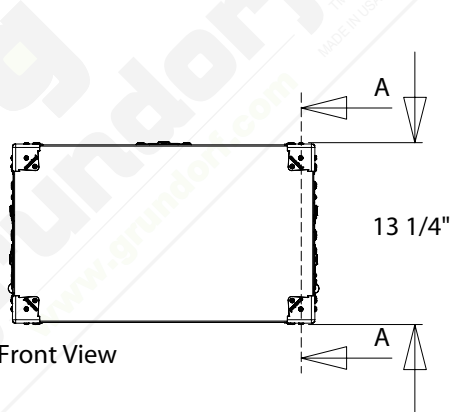


Top View

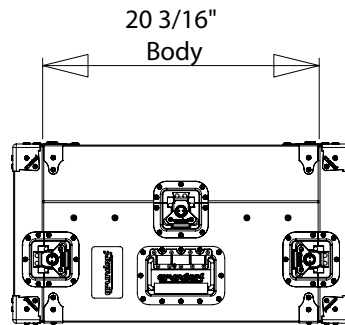


CL  
18 5/16"

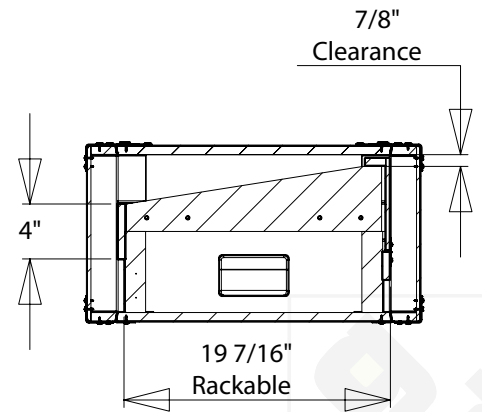
7/8"  
Clearance



Front View



Side View



SECTION A-A